

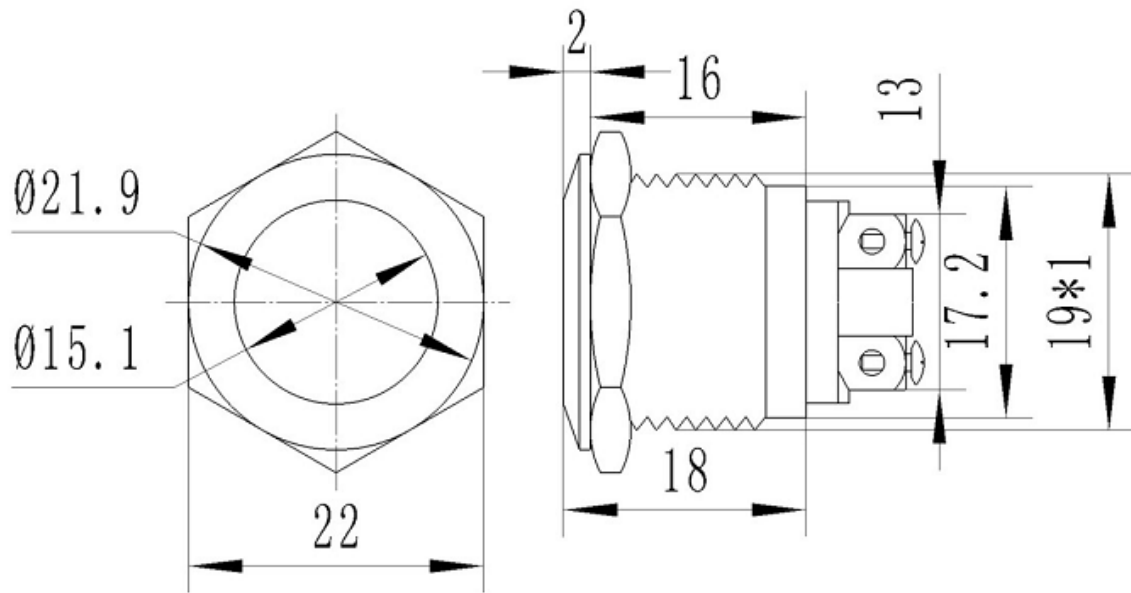
DATASHEET - Britta Products - 22mm Momentary Switch

Part number: N.O.-MomentarySwitch-22mm

Image:



Mechanical drawing:



Specification Highlights:

Material type: Stainless Steel

Protection Rating: IP67

Hole cutout: 19mm

Type: Normally Open (NO)

Degree of Protection	Ip67
Contact Type	1 NO
Maximum Voltage	5V/250VAC
Thermal Current	5A
Minimum Applicable Load	5V AC/DC, 1mA
Contact material	Silver plated
Terminal Style	.110" Solder/ Quick Connect
Operating Temperature	-25°C to +65°C
Operating Humidity	45 to 85% RH
Contact Resistance	5mΩ maximum
Insulation Resistance	1000MΩ minimum (500V DC megger)
Vibration Resistance	10 to 55Hz, amplitude 1.2mm p-p
Degree of Protection	>10g
Electrical Life	200,000 operations minimum (at full rated load)
Mechanical Life	Maintained: 1000000 Momentary: 1000000 Selector/Keylock: 250000
Dielectrical Life	Illumination Unit: 2,000V AC, 1 min. Between live part/ground
Soldering Temperature	20W/5 seconds or 260°C/3 seconds

Contact Britta Products for additional product details and pricing.