

## Description

Model: SNL-HD-1-Series (2019)

### Technical parameter :

Battery capacity :	4400mA
Working voltage:	3.7V
Charge current::	150mA
Discharge current:	less than 300mA
Protection grade:	IP65
Working temperature :	-10°C~50°C
Material :	PC
Light source :	18*LEDs
Visibility range:	0-3.6 km (about 2 nautical mile)
Size :	Φ178* H228
Net weight:	0.98 kg



### Feature :

Constant-on AND flashing modes  
Replaceable long-lasting battery  
Long lasting performance; waterproof design

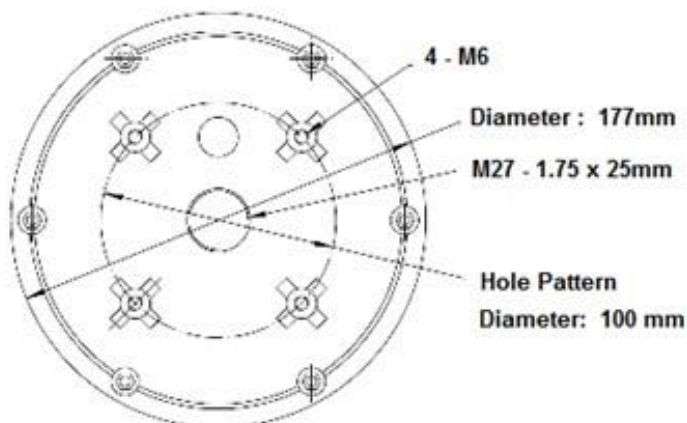
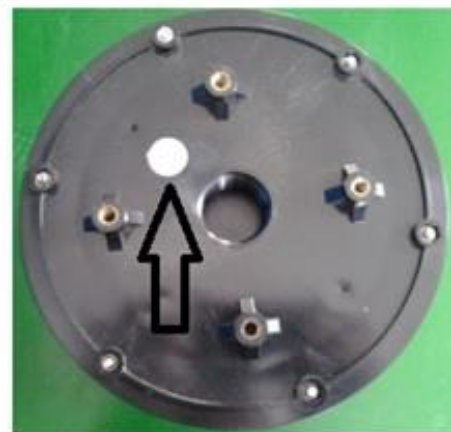
### Installation:

**Bottom Mount:** use the enclosed hardware to attach the lamp to an existing structure (buoy, marker, etc.) See hole pattern for hole distances.

**Pole mount:** Use the underside threaded base (M27, 1.75 x 25mm)

**Flange base:** remove 3 flange screws and replace with longer screws (retain nuts in base to ensure water tightness of case)

**Other options:** Use Z-brackets for surface mounting.



Press underside button to toggle between 3 modes:

1. Constant-On
2. Flashing pattern
3. OFF position